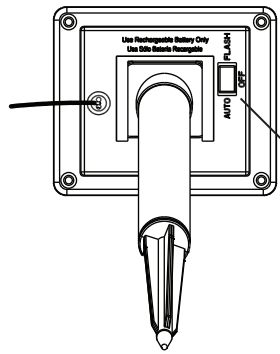



Art.no 483-09

FIRST USE

STEP 1.



(AUTO  FLASH)  
OFF

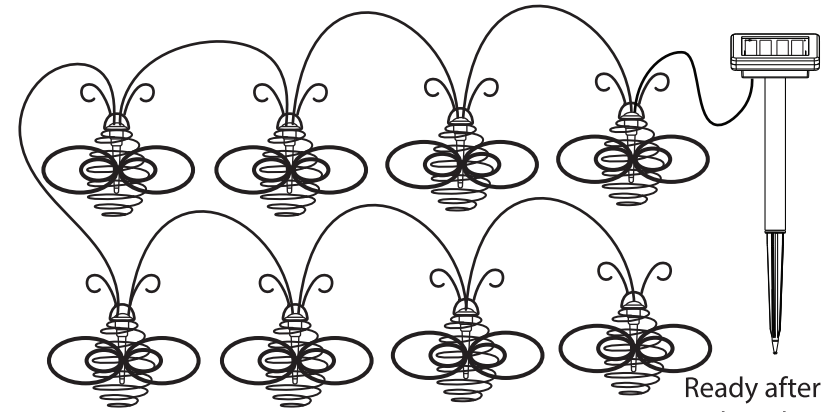
STEP 2.



(AUTO  FLASH)  
OFF

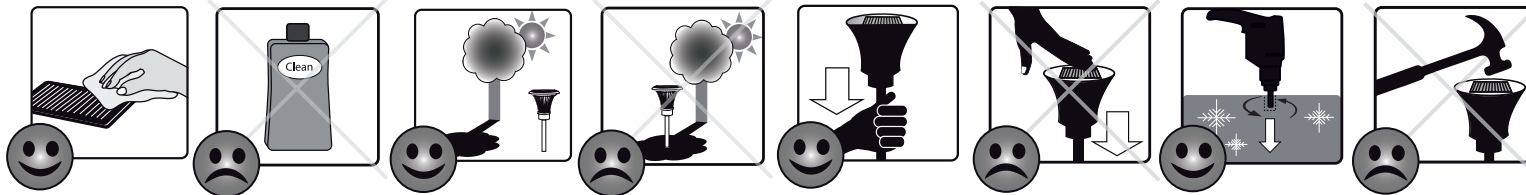
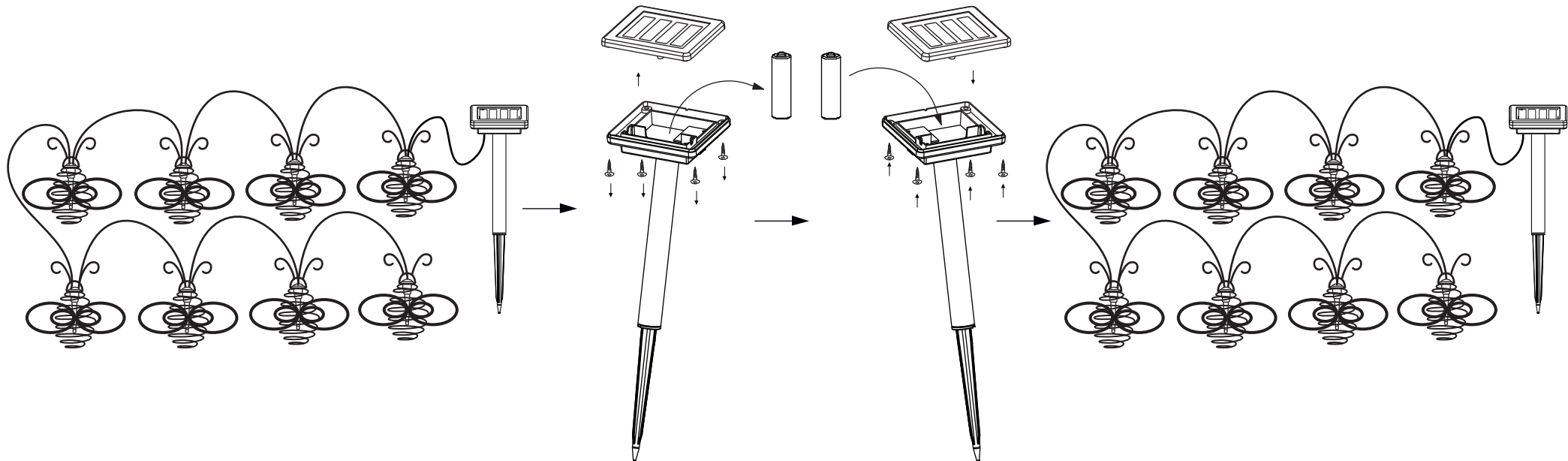
(AUTO  FLASH)  
OFF

(AUTO  FLASH)  
OFF



Ready after  
36 h in the sun

BATTERY REPLACEMENT



**STAR**<sup>®</sup>  
TRADING

STAR STREET 1  
512 50 SVENLJUNGA  
SWEDEN

[www.startrading.com](http://www.startrading.com)