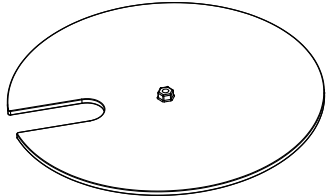




NO.	DL	QTY
1		1
2		1
3		3